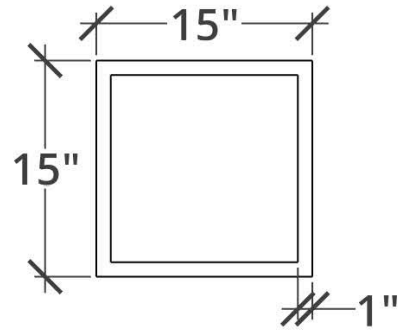
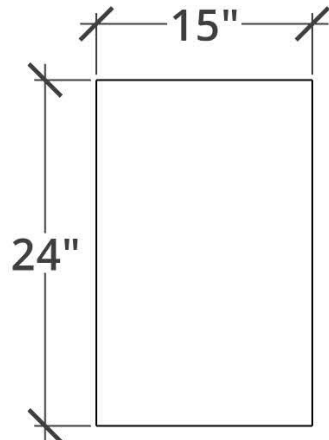


HCD

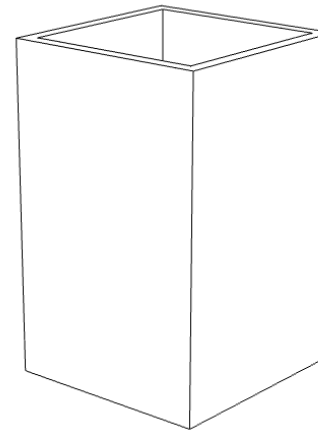
HART CONCRETE DESIGN



PLAN VIEW



FRONT ELEVATION



PERSPECTIVE

TO SPECIFY:

Hart Concrete Design
 2120 South Susan Street
 Santa Ana, CA 92704
 866.716.4278
www.hartconcretedesign.com

Item: RICHARD PLANTER

Size:

- 9" X 9" X 18"H
- 12" X 12" X 20"H
- 15" X 15" X 24"H
- 18" X 18" X 30"H

Select Desired Color:

- GREY
- IRON
- STEEL
- WHITE
- MALIBU
- MESA

Select Desired Finish:

- SMOOTH
- TRAVERTINE

Drain Hole:

- YES
- NO

Tar:

- YES
- NO

DIMENSIONS	LIP SIZE	WEIGHT
9" X 9" X 18"H	1"	50 LBS
12" X 12" X 20"H	1"	80 LBS
15" X 15" X 24"H	1"	120 LBS
18" X 18" X 30"H	1 1/4"	170 LBS

NOTE

1. Installation to be completed in accordance with manufacturer's specifications
2. Do not scale this drawing.
3. This drawing is intended for use by architects, engineers, contractors, consultants and design professionals for planning purposes only. This drawing may not be used for construction.
4. All information contained herein was current at the time of development but must be reviewed and approved by the product manufacturer to be considered accurate.