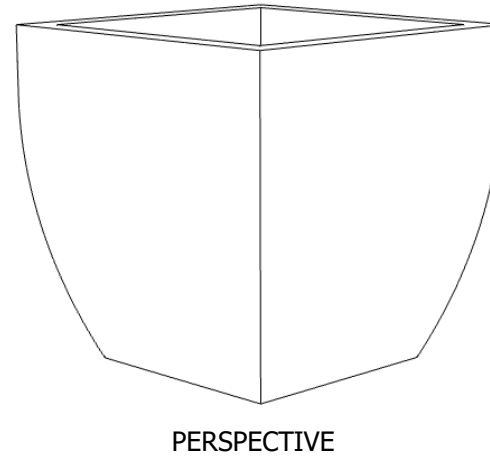
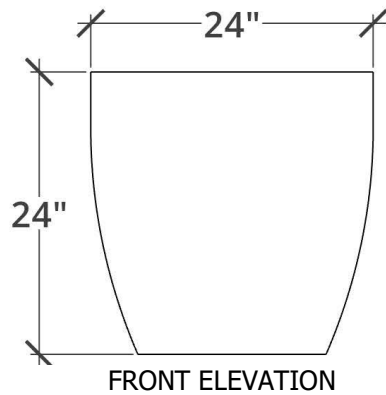
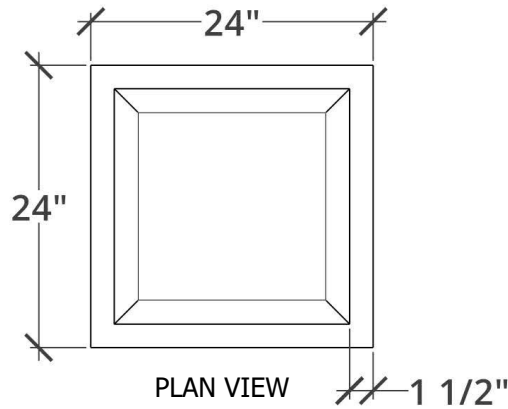


# HCD

HART CONCRETE DESIGN



**TO SPECIFY:**

Hart Concrete Design  
 2120 South Susan Street  
 Santa Ana, CA 92704  
 866.716.4278  
 www.hartconcretedesign.com

Item: PETER PLANTER

**Size:**

- 12" X 12" X 12"H
- 15" X 15" X 15"H
- 18" X 18" X 18"H
- 22" X 22" X 22"H
- 24" X 24" X 24"H
- 30" X 30" X 30"H

**Select Desired Color:**

- GREY
- IRON
- STEEL
- WHITE
- MALIBU
- MESA

**Select Desired Finish:**

- SMOOTH
- TRAVERTINE

**Drain Hole:**

- YES
- NO

**Tar:**

- YES
- NO

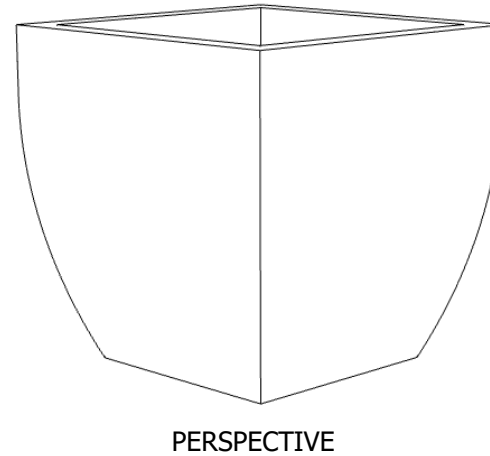
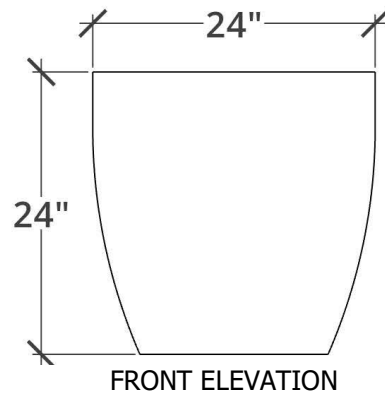
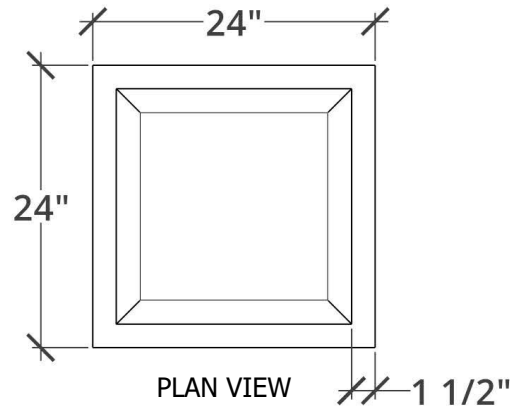
DIMENSIONS	LIP SIZE	WEIGHT
12" X 12" X 12"H	1"	50 LBS
15" X 15" X 15"H	1"	80 LBS
18" X 18" X 18"H	1"	100 LBS
22" X 22" X 22"H	1 1/4"	170 LBS

**NOTE**

1. Installation to be completed in accordance with manufacturer's specifications
2. Do not scale this drawing.
3. This drawing is intended for use by architects, engineers, contractors, consultants and design professionals for planning purposes only. This drawing may not be used for construction.
4. All information contained herein was current at the time of development but must be reviewed and approved by the product manufacturer to be considered accurate.

# HCD

HART CONCRETE DESIGN



**TO SPECIFY:**

Hart Concrete Design  
 2120 South Susan Street  
 Santa Ana, CA 92704  
 866.716.4278  
[www.hartconcretedesign.com](http://www.hartconcretedesign.com)

Item: PETER PLANTER

**Size:**

- 12" X 12" X 12"H
- 15" X 15" X 15"H
- 18" X 18" X 18"H
- 22" X 22" X 22"H
- 24" X 24" X 24"H
- 30" X 30" X 30"H

**Select Desired Color:**

- GREY
- IRON
- STEEL
- WHITE
- MALIBU
- MESA

**Select Desired Finish:**

- SMOOTH
- TRAVERTINE

**Drain Hole:**

- YES
- NO

**Tar:**

- YES
- NO

DIMENSIONS	LIP SIZE	WEIGHT
24" X 24" X 24"H	1 1/4"	200 LBS
30" X 30" X 30"H	1 1/4"	310 LBS

**NOTE**

1. Installation to be completed in accordance with manufacturer's specifications
2. Do not scale this drawing.
3. This drawing is intended for use by architects, engineers, contractors, consultants and design professionals for planning purposes only. This drawing may not be used for construction.
4. All information contained herein was current at the time of development but must be reviewed and approved by the product manufacturer to be considered accurate.