

TO SPECIFY:

Hart Concrete Design
 2120 South Susan Street
 Santa Ana, CA 92704
 866.716.4278
www.hartconcretedesign.com

Item: JOHN PLANTER

Size:

- 9" DIAMETER X 9"H
- 12" DIAMETER X 12"H
- 18" DIAMETER X 18"H
- 24" DIAMETER X 24"H
- 30" DIAMETER X 30"H
- 36" DIAMETER X 36"H

Select Desired Color:

- GREY WHITE
- IRON MALIBU
- STEEL MESA

Select Desired Finish:

- SMOOTH
- TRAVERTINE

Drain Hole:

- YES
- NO

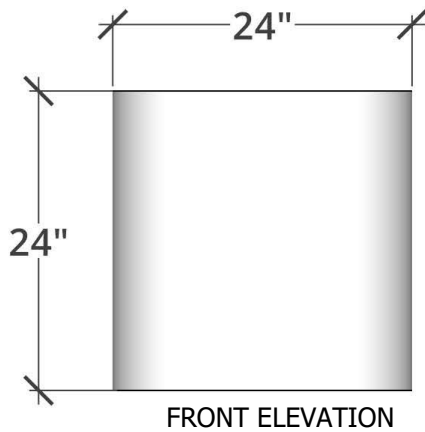
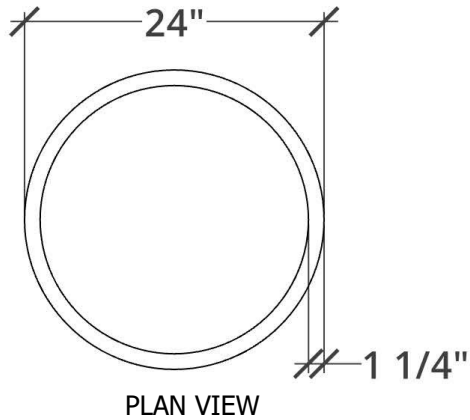
Tar:

- YES
- NO

DIMENSIONS	LIP SIZE	WEIGHT
9" DIAMETER X 9"H	1"	25 LBS
12" DIAMETER X 12"H	1"	50 LBS
18" DIAMETER X 18"H	1"	100 LBS
24" DIAMETER X 24"H	1 1/4"	175 LBS

NOTE

1. Installation to be completed in accordance with manufacturer's specifications
2. Do not scale this drawing.
3. This drawing is intended for use by architects, engineers, contractors, consultants and design professionals for planning purposes only. This drawing may not be used for construction.
4. All information contained herein was current at the time of development but must be reviewed and approved by the product manufacturer to be considered accurate.



TO SPECIFY:

Hart Concrete Design
 2120 South Susan Street
 Santa Ana, CA 92704
 866.716.4278
 www.hartconcretedesign.com

Item: JOHN PLANTER

Size:

- 9" DIAMETER X 9"H
- 12" DIAMETER X 12"H
- 18" DIAMETER X 18"H
- 24" DIAMETER X 24"H
- 30" DIAMETER X 30"H
- 36" DIAMETER X 36"H

Select Desired Color:

- GREY WHITE
- IRON MALIBU
- STEEL MESA

Select Desired Finish:

- SMOOTH
- TRAVERTINE

Drain Hole:

- YES
- NO

Tar:

- YES
- NO

DIMENSIONS	LIP SIZE	WEIGHT
30" DIAMETER X 30"H	1 1/4"	250 LBS
36" DIAMETER X 36"H	1 1/4"	350 LBS

NOTE

1. Installation to be completed in accordance with manufacturer's specifications
2. Do not scale this drawing.
3. This drawing is intended for use by architects, engineers, contractors, consultants and design professionals for planning purposes only. This drawing may not be used for construction.
4. All information contained herein was current at the time of development but must be reviewed and approved by the product manufacturer to be considered accurate.