

# HCD

HART CONCRETE DESIGN

**TO SPECIFY:**

Hart Concrete Design  
 2120 South Susan Street  
 Santa Ana, CA 92704  
 866.716.4278  
[www.hartconcretedesign.com](http://www.hartconcretedesign.com)

Item: BILL PLANTER

**Size:**

- 15" DIAMETER X 22"H
- 17 1/4" DIAMETER X 27"H
- 22" DIAMETER X 36"H

**Select Desired Color:**

- GREY
- IRON
- STEEL
- WHITE
- MALIBU
- MESA

**Select Desired Finish:**

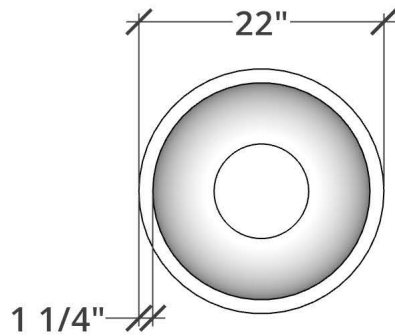
- SMOOTH
- TRAVERTINE

**Drain Hole:**

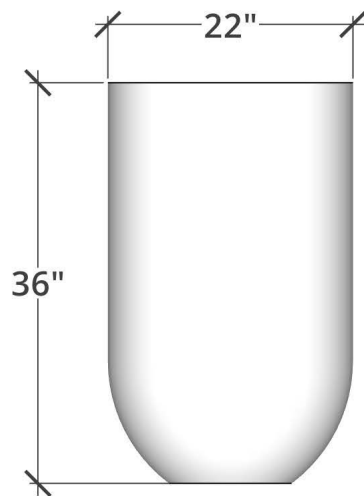
- YES
- NO

**Tar:**

- YES
- NO



PLAN VIEW



FRONT ELEVATION



PERSPECTIVE

DIMENSIONS	LIP SIZE	WEIGHT
15" DIAMETER X 22"H	1"	100 LBS
17 1/4" DIAMETER X 27"H	1"	150 LBS
22" DIAMETER X 36"H	1 1/4"	225 LBS

**NOTE**  
 1. Installation to be completed in accordance with manufacturer's specifications  
 2. Do not scale this drawing.  
 3. This drawing is intended for use by architects, engineers, contractors, consultants and design professionals for planning purposes only. This drawing may not be used for construction.  
 4. All information contained herein was current at the time of development but must be reviewed and approved by the product manufacturer to be considered accurate.