

SELECT DESIRED SIZE:

- 12" X 12" X 12"H
- 15" X 15" X 15"H
- 18" X 18" X 18"H
- 22" X 22" X 22"H
- 24" X 24" X 24"H [SHOWN]
- 30" X 30" X 30"H

SELECT DESIRED COLOR:

- WHITE
- GREY
- IRON
- STEEL
- MALIBU
- IDAHO
- MESA

SELECT DESIRED FINISH

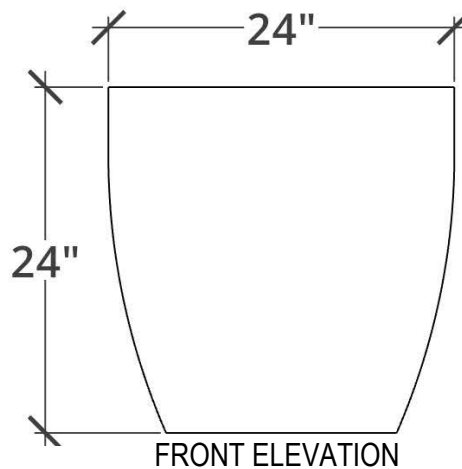
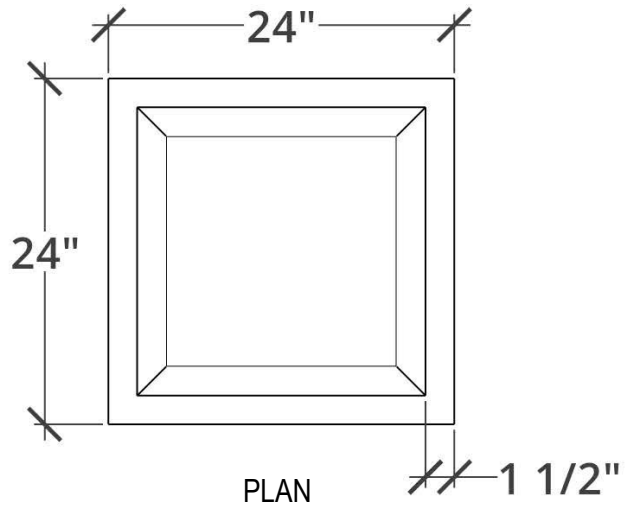
- SMOOTH
- TRAVERTINE
- ROUGHCAST

DRAIN HOLE:

- YES
- NO

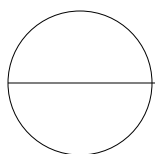
WATERPROOFING TAR:

- YES
- NO



NOTE

1. Installation to be completed in accordance with manufacturer's specifications
2. Do not scale this drawing.
3. This drawing is intended for use by architects, engineers, contractors, consultants and design professionals for planning purposes only. This drawing may not be used for construction.
4. All information contained herein was current at the time of development but must be reviewed and approved by the product manufacturer to be considered accurate.



PLANTERS
PETER