

HCD

Hart Concrete Design
(866) 716-4278

Item: CORNHOLE

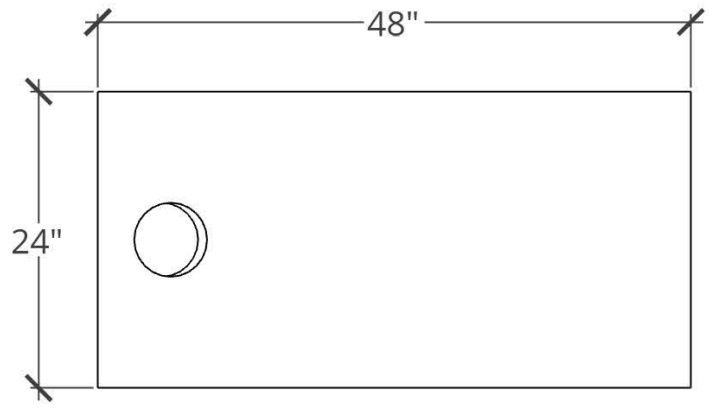
Date: 02/20/2023

Size:

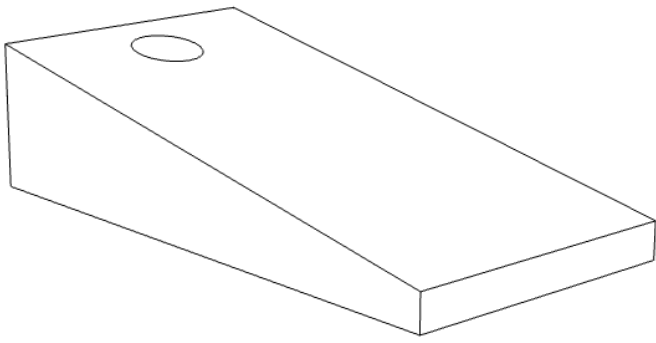
- 48" X 24" X 12"H

Select Desired Color:

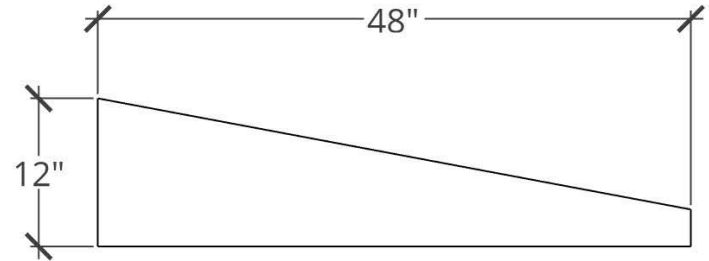
- WHITE
- GREY
- IRON
- STEEL
- MALIBU
- IDAHO
- MESA



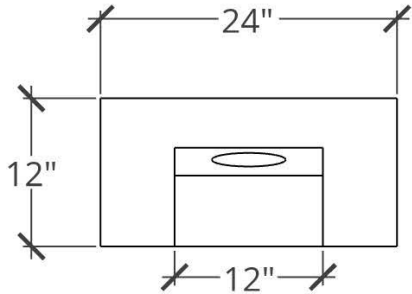
PLAN VIEW



PERSPECTIVE



SIDE ELEVATION



FRONT ELEVATION

DIMENSIONS
48" X 24" X 12"H

WEIGHT
200 LBS