

HCD

Hart Concrete Design

(866) 716-4278

Item: CAPPED QUADRA

Gas Type: PROPANE
HARDLINE

Ignition: MATCH LIT

Date: 12/07/2022

Size:

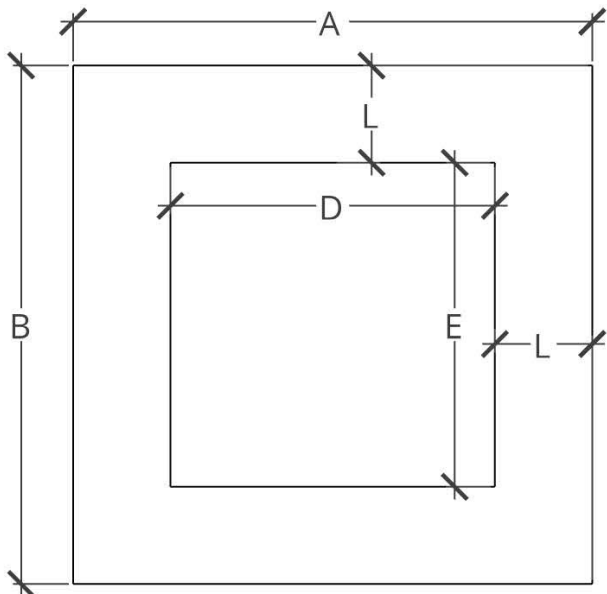
- 36" X 36" X 18"H
- 42" X 42" X 18"H
- 48" X 48" X 18"H
- 54" X 54" X 18"H

Select Desired Color:

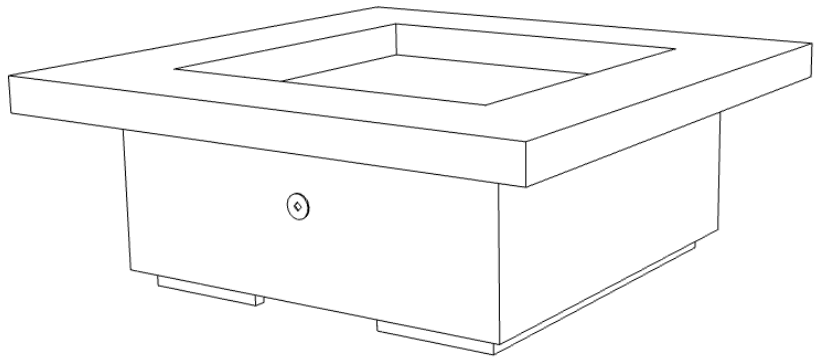
- WHITE
- GREY
- IRON
- STEEL
- MALIBU
- IDAHO
- MESA

Accessories (incurs additional charge):

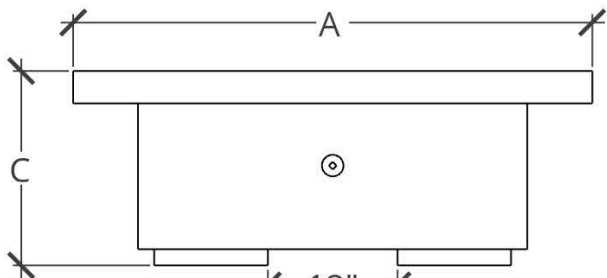
- WINDGUARD
- MIXED FIREBALLS
- UNIFORM FIREBALLS
- FIRE GLASS
- CANVAS COVER
- POLISHING SPRAY



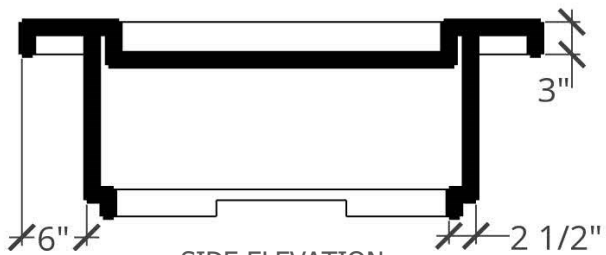
PLAN VIEW



PERSPECTIVE

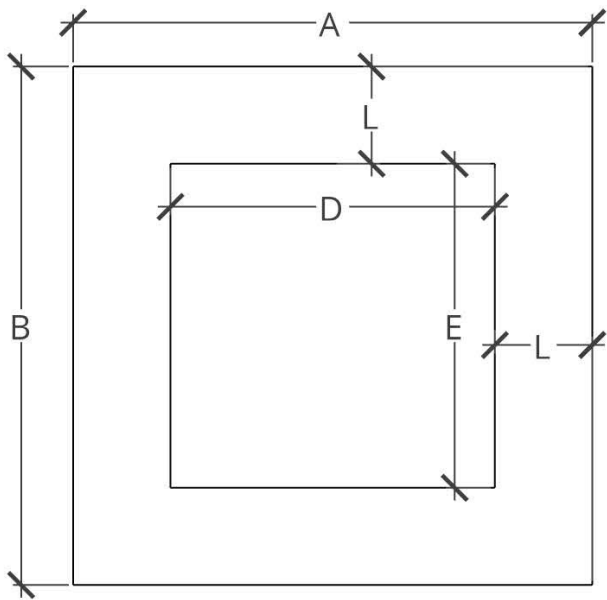


FRONT ELEVATION

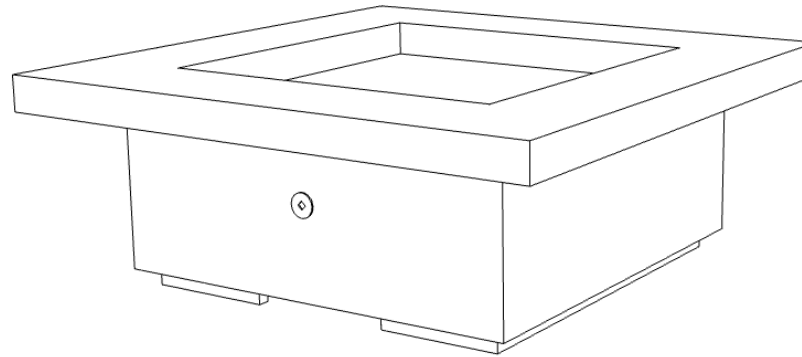


SIDE ELEVATION

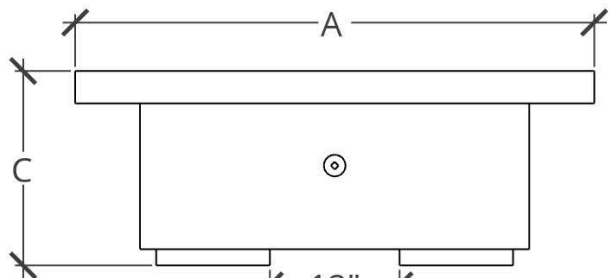
DIMENSIONS (A X B X C)	LEDGE (L)	BURNER AREA (D X E)	TOP WEIGHT	BASE WEIGHT	BURNER	BTU RATING
36" X 36" X 18"H	9"	18" X 18"	150 LBS	150 LBS	6" ROUND BURNER	60K
42" X 42" X 18"H	9"	24" X 24"	175 LBS	175 LBS	12" ROUND BURNER	90K
48" X 48" X 18"H	9"	30" X 30"	200 LBS	200 LBS	18" ROUND BURNER	150K
54" X 54" X 18"H	12"	30" X 30"	250 LBS	250 LBS	18" ROUND BURNER	150K



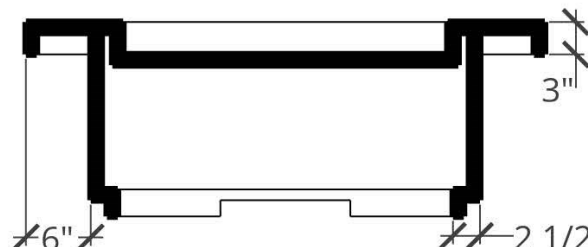
PLAN VIEW



PERSPECTIVE



FRONT ELEVATION



SIDE ELEVATION

HCD

Hart Concrete Design

(866) 716-4278

Item: CAPPED QUADRA

Gas Type: PROPANE
HARDLINE

Ignition: MATCH LIT

Date: 12/07/2022

Size:

- 60" X 60" X 18"H
- 66" X 66" X 18"H
- 72" X 72" X 18"H
- OTHER: _____

Select Desired Color:

- WHITE
- GREY
- IRON
- STEEL
- MALIBU
- IDAHO
- MESA

Accessories (incurs additional charge):

- WINDGUARD
- MIXED FIREBALLS
- UNIFORM FIREBALLS
- FIRE GLASS
- CANVAS COVER
- POLISHING SPRAY

DIMENSIONS (A X B X C)	LEDGE (L)	BURNER AREA (D X E)	TOP WEIGHT	BASE WEIGHT	BURNER	BTU RATING
60" X 60" X 18"H	12"	36" X 36"	300 LBS	250 LBS	24" ROUND BURNER	150K
66" X 66" X 18"H	12"	42" X 42"	375 LBS	300 LBS	30" ROUND BURNER	300K
72" X 72" X 18"H	12"	48" X 48"	425 LBS	350 LBS	36" ROUND BURNER	300K