

HCD

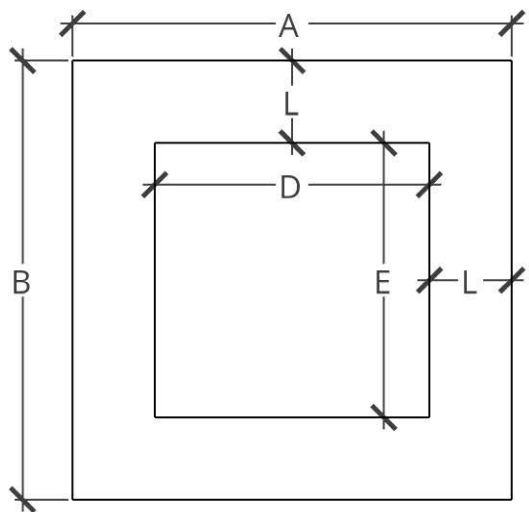
Hart Concrete Design
(866) 716-4278

Item: CAPPED QUADRA
Gas Type: PROPANE
HARDLINE
Ignition: ELECTRONIC
Date: 12/06/2022

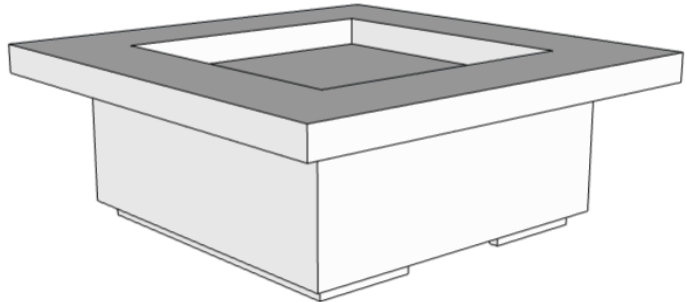
- Size:**
- 36" X 36" X 18"H
 - 42" X 42" X 18"H
 - 48" X 48" X 18"H
 - 54" X 54" X 18"H

- Select Desired Color:**
- WHITE
 - GREY
 - IRON
 - STEEL
 - MALIBU
 - IDAHO
 - MESA

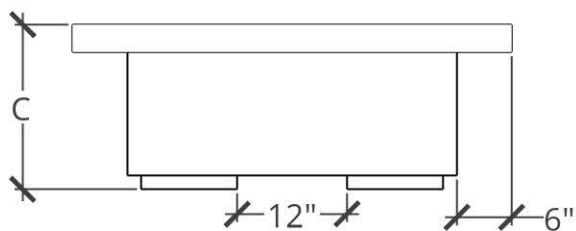
- Accessories (incurs additional charge):**
- WINDGUARD
 - MIXED FIREBALLS
 - UNIFORM FIREBALLS
 - FIRE GLASS
 - CANVAS COVER
 - TIMER
 - EMERGENCY STOP
 - POLISHING SPRAY



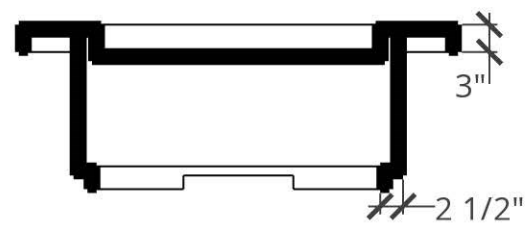
PLAN VIEW



PERSPECTIVE



FRONT ELEVATION



SIDE ELEVATION

DIMENSIONS (A X B X C)	LEDGE (L)	BURNER AREA (D X E)	TOP WEIGHT	BASE WEIGHT	BURNER	BTU RATING
36" X 36" X 18"H	6"	24" X 24"	150 LBS	150 LBS	18FSSEI-SQ-LP/120VAC	65K
42" X 42" X 18"H	9"	24" X 24"	175 LBS	175 LBS	18FSSEI-SQ-LP/120VAC	65K
48" X 48" X 18"H	9"	30" X 30"	200 LBS	200 LBS	24FSSEI-SQ-LP/120VAC	125K
54" X 54" X 18"H	12"	30" X 30"	250 LBS	250 LBS	24FSSEI-SQ-LP/120VAC	125K

HCD

Hart Concrete Design

(866) 716-4278

Item: CAPPED QUADRA

Gas Type: PROPANE
HARDLINE

Ignition: ELECTRONIC

Date: 12/06/2022

Size:

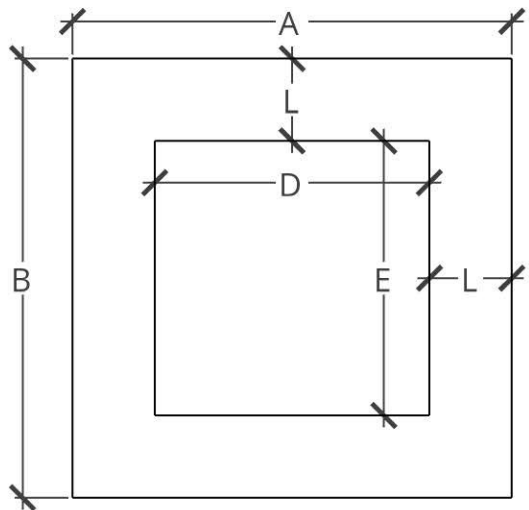
- 60" X 60" X 18"H
- 66" X 66" X 18"H
- 72" X 72" X 18"H
- OTHER: _____

Select Desired Color:

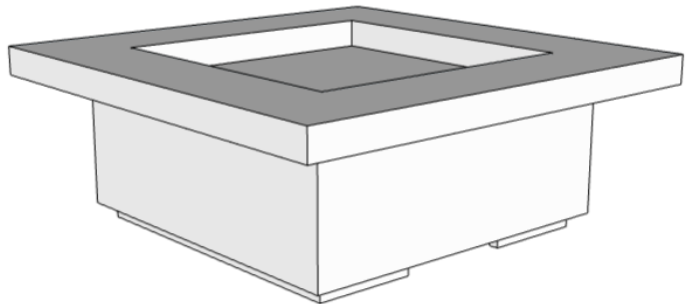
- WHITE
- GREY
- IRON
- STEEL
- MALIBU
- IDAHO
- MESA

Accessories (incurs additional charge):

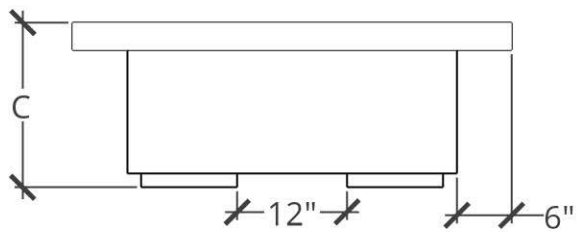
- WINDGUARD
- MIXED FIREBALLS
- UNIFORM FIREBALLS
- FIRE GLASS
- CANVAS COVER
- TIMER
- EMERGENCY STOP
- POLISHING SPRAY



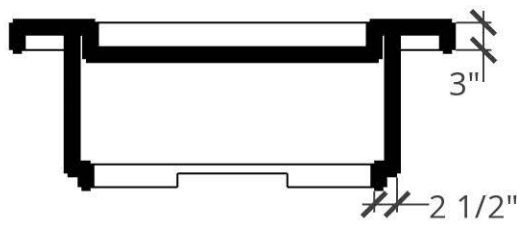
PLAN VIEW



PERSPECTIVE



FRONT ELEVATION



SIDE ELEVATION

DIMENSIONS (A X B X C)	LEDGE (L)	BURNER AREA (D X E)	TOP WEIGHT	BASE WEIGHT	BURNER	BTU RATING
60" X 60" X 18"H	12"	36" X 36"	300 LBS	250 LBS	30FSSEI-SQ-LP/120VAC	200K
66" X 66" X 18"H	12"	42" X 42"	375 LBS	300 LBS	36FSSEI-SQ-LP/120VAC	250K
72" X 72" X 18"H	12"	48" X 48"	425 LBS	350 LBS	42FSSEI-SQ-LP/120VAC	400K