

HCD

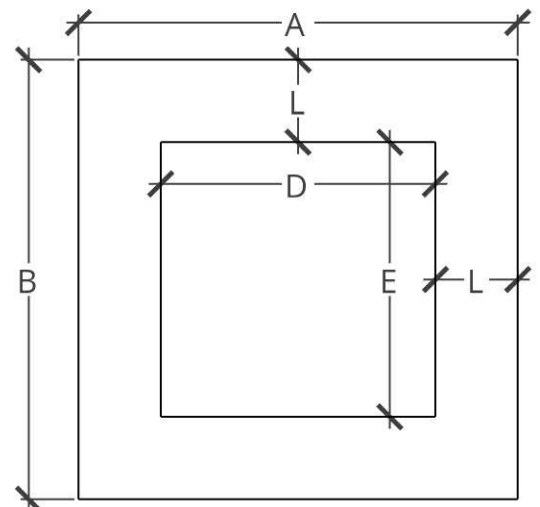
Hart Concrete Design
(866) 716-4278

Item: CAPPED QUADRA
Gas Type: NATURAL GAS
Ignition: ELECTRONIC
Date: 12/06/2022

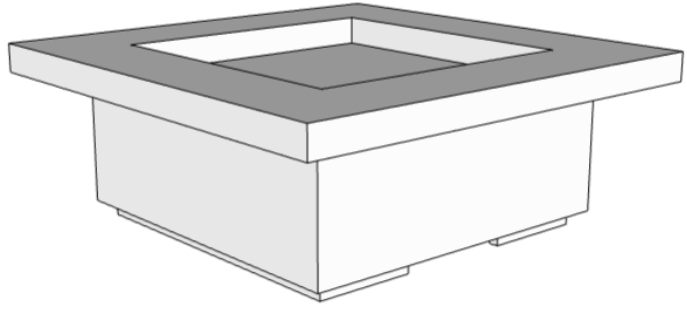
- Size:**
- 36" X 36" X 18"H
 - 42" X 42" X 18"H
 - 48" X 48" X 18"H
 - 54" X 54" X 18"H

- Select Desired Color:**
- WHITE
 - GREY
 - IRON
 - STEEL
 - MALIBU
 - IDAHO
 - MESA

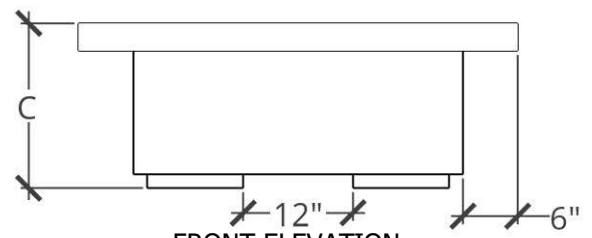
- Accessories (incurs additional charge):**
- WINDGUARD
 - MIXED FIREBALLS
 - UNIFORM FIREBALLS
 - FIRE GLASS
 - CANVAS COVER
 - TIMER
 - EMERGENCY STOP
 - POLISHING SPRAY



PLAN VIEW



PERSPECTIVE



FRONT ELEVATION



SIDE ELEVATION

| DIMENSIONS (A X B X C) | LEDGE (L) | BURNER AREA (D X E) | TOP WEIGHT | BASE WEIGHT | BURNER | BTU RATING |
|------------------------|-----------|---------------------|------------|-------------|----------------------|------------|
| 36" X 36" X 18"H | 6" | 24" X 24" | 150 LBS | 150 LBS | 18FSSEI-SQ-NG/120VAC | 65K |
| 42" X 42" X 18"H | 9" | 24" X 24" | 175 LBS | 175 LBS | 18FSSEI-SQ-NG/120VAC | 65K |
| 48" X 48" X 18"H | 9" | 30" X 30" | 200 LBS | 200 LBS | 24FSSEI-SQ-NG/120VAC | 125K |
| 54" X 54" X 18"H | 12" | 30" X 30" | 250 LBS | 250 LBS | 24FSSEI-SQ-NG/120VAC | 125K |

HCD

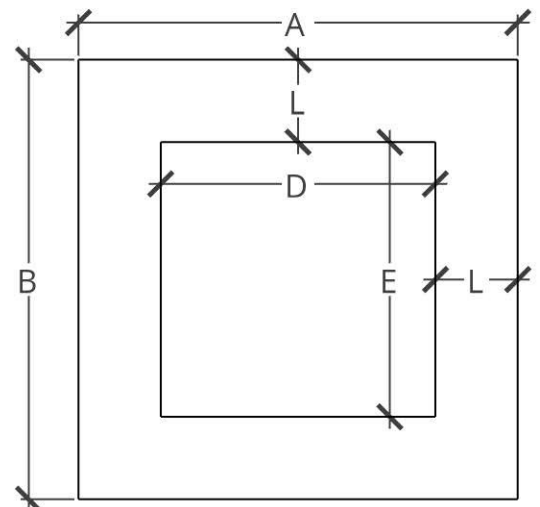
Hart Concrete Design
(866) 716-4278

Item: CAPPED QUADRA
Gas Type: NATURAL GAS
Ignition: ELECTRONIC
Date: 12/06/2022

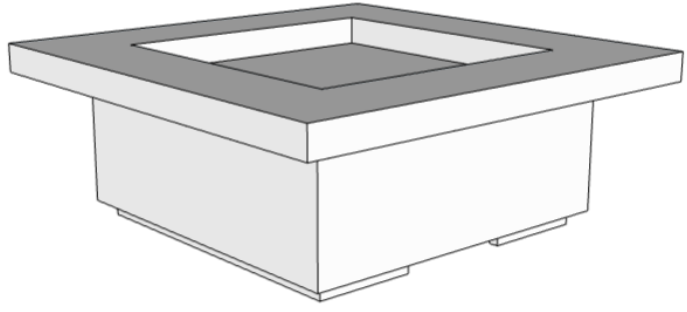
- Size:**
- 60" X 60" X 18"H
 - 66" X 66" X 18"H
 - 72" X 72" X 18"H
 - OTHER: _____

- Select Desired Color:**
- WHITE
 - GREY
 - IRON
 - STEEL
 - MALIBU
 - IDAHO
 - MESA

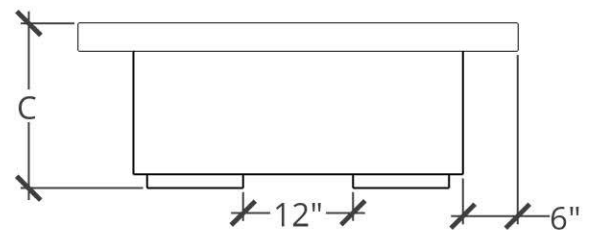
- Accessories (incurs additional charge):**
- WINDGUARD
 - MIXED FIREBALLS
 - UNIFORM FIREBALLS
 - FIRE GLASS
 - CANVAS COVER
 - TIMER
 - EMERGENCY STOP
 - POLISHING SPRAY



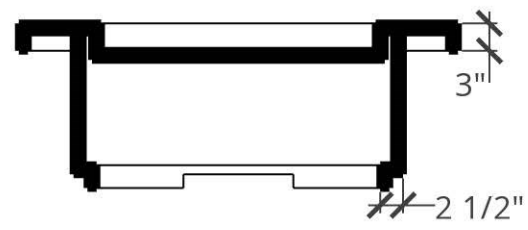
PLAN VIEW



PERSPECTIVE



FRONT ELEVATION



SIDE ELEVATION

| DIMENSIONS (A X B X C) | LEDGE (L) | BURNER AREA (D X E) | TOP WEIGHT | BASE WEIGHT | BURNER | BTU RATING |
|------------------------|-----------|---------------------|------------|-------------|----------------------|------------|
| 60" X 60" X 18"H | 12" | 36" X 36" | 300 LBS | 250 LBS | 30FSSEI-SQ-NG/120VAC | 200K |
| 66" X 66" X 18"H | 12" | 42" X 42" | 375 LBS | 300 LBS | 36FSSEI-SQ-NG/120VAC | 250K |
| 72" X 72" X 18"H | 12" | 48" X 48" | 425 LBS | 350 LBS | 42FSSEI-SQ-NG/120VAC | 400K |
| | | | | | | |