

HCD

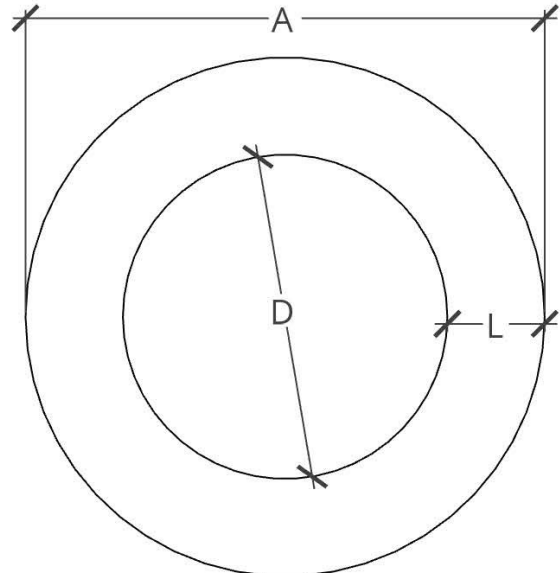
Hart Concrete Design
(866) 716-4278

Item: CAPPED INFINITY
Gas Type: PROPANE
HARDLINE
Ignition: PUSH BUTTON
Date: 12/06/2022

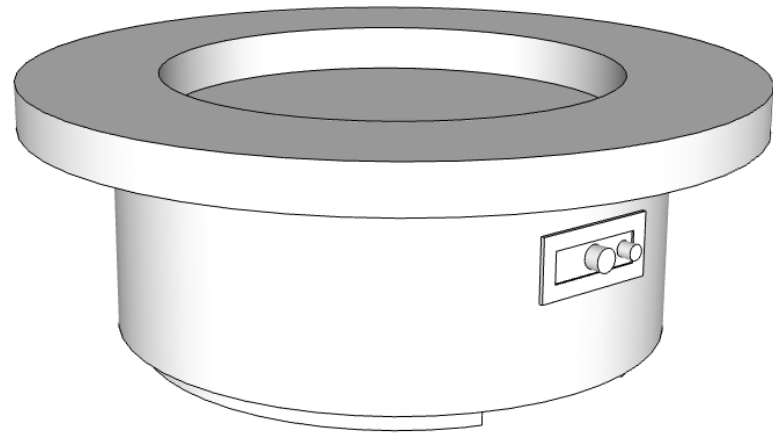
- Size:**
- 36" DIA X 18"H
 - 42" DIA X 18"H
 - 48" DIA X 18"H
 - 54" DIA X 18"H

- Select Desired Color:**
- WHITE
 - GREY
 - IRON
 - STEEL
 - MALIBU
 - IDAHO
 - MESA

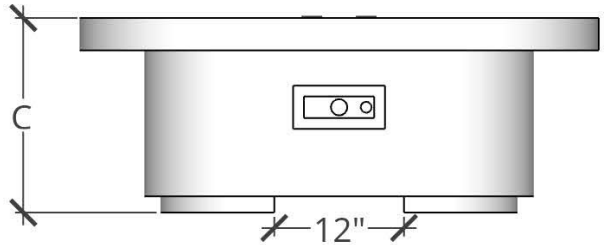
- Accessories (incurs additional charge):**
- WINDGUARD
 - MIXED FIREBALLS
 - UNIFORM FIREBALLS
 - FIRE GLASS
 - CANVAS COVER
 - POLISHING SPRAY



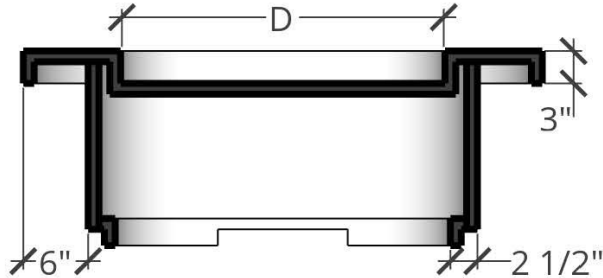
PLAN VIEW



PERSPECTIVE



FRONT ELEVATION



SIDE ELEVATION

DIMENSIONS (A X C)	LEDGE (L)	BURNER AREA (D X E)	TOP WEIGHT	BASE WEIGHT	BURNER	BTU RATING
36" DIA X 18"H	6"	24" DIA	125 LBS	175 LBS	FPPK14-FLEX-LP	90K
42" DIA X 18"H	9"	24" DIA	150 LBS	175 LBS	FPPK14-FLEX-LP	90K
48" DIA X 18"H	9"	30" DIA	200 LBS	225 LBS	PENTA24FPPK-FLEX-LP	90K
54" DIA X 18"H	12"	30" DIA	225 LBS	275 LBS	PENTA24FPPK-FLEX-LP	90K

HCD

Hart Concrete Design

(866) 716-4278

Item: CAPPED INFINITY

Gas Type: PROPANE
HARDLINE

Ignition: PUSH BUTTON

Date: 12/06/2022

Size:

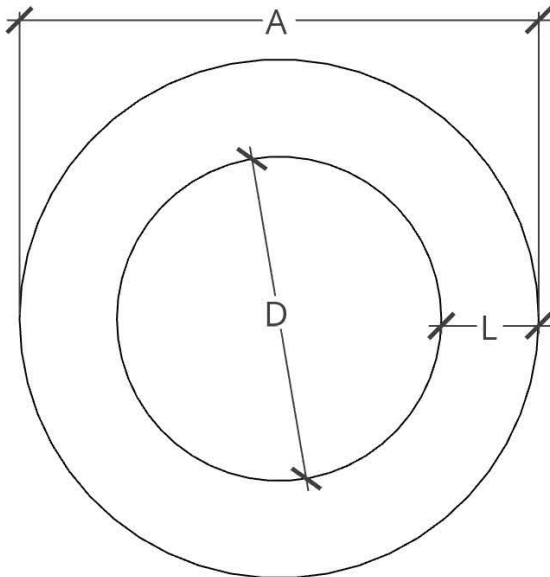
- 60" DIA X 18"H
- 66" DIA X 18"H
- 72" DIA X 18"H
- OTHER: _____

Select Desired Color:

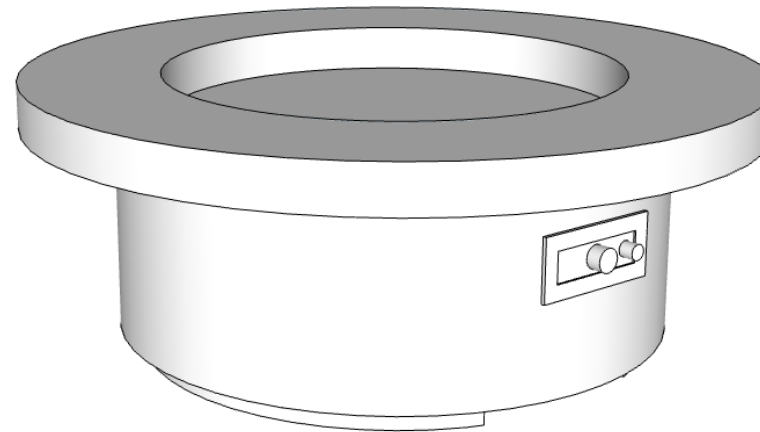
- WHITE
- GREY
- IRON
- STEEL
- MALIBU
- IDAHO
- MESA

Accessories (incurs additional charge):

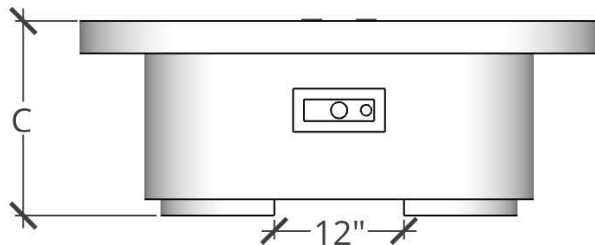
- WINDGUARD
- MIXED FIREBALLS
- UNIFORM FIREBALLS
- FIRE GLASS
- CANVAS COVER
- POLISHING SPRAY



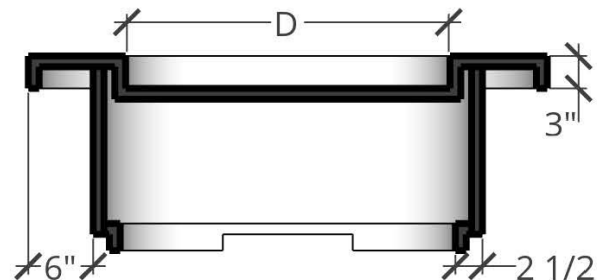
PLAN VIEW



PERSPECTIVE



FRONT ELEVATION



SIDE ELEVATION

DIMENSIONS (A X C)	LEDGE (L)	BURNER AREA (D X E)	TOP WEIGHT	BASE WEIGHT	BURNER	BTU RATING
60" DIA X 18"H	12"	36" DIA	300 LBS	325 LBS	PENTA30FPPK-FLEX-LP	140K
66" DIA X 18"H	12"	42" DIA	350 LBS	375 LBS	PENTA36FPPK-FLEX-LP	140K
72" DIA X 18"H	12"	48" DIA	400 LBS	450 LBS	PENTA36FPPK-FLEX-LP	140K