

# HCD

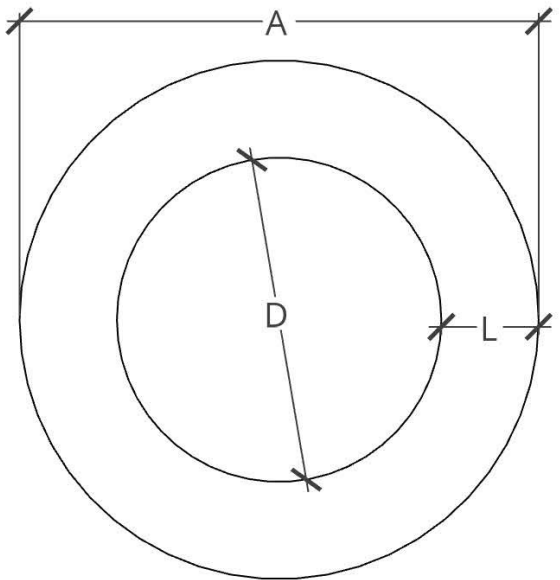
Hart Concrete Design  
(866) 716-4278

Item: CAPPED INFINITY  
Gas Type: NATURAL GAS  
Ignition: BLUETOOTH  
Date: 12/06/2022

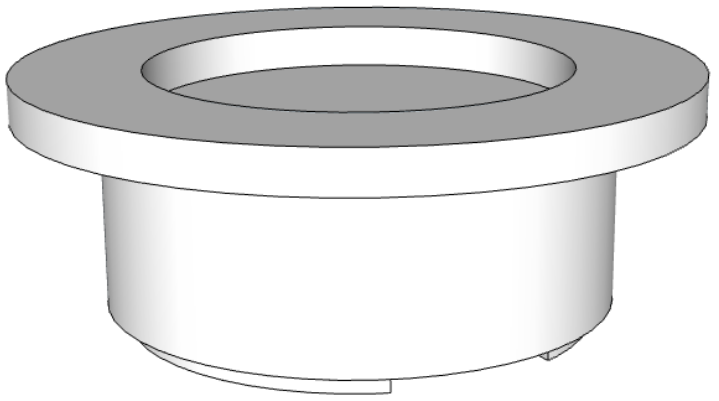
- Size:**
- 36" DIA X 18"H
  - 42" DIA X 18"H
  - 48" DIA X 18"H
  - 54" DIA X 18"H

- Select Desired Color:**
- WHITE
  - GREY
  - IRON
  - STEEL
  - MALIBU
  - IDAHO
  - MESA

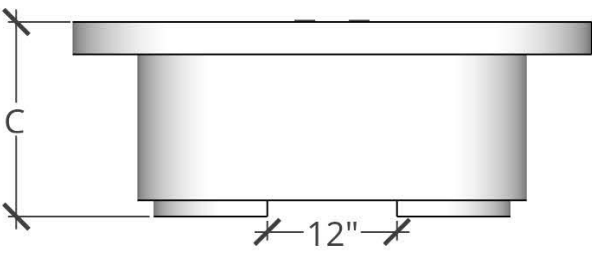
- Accessories (incurs additional charge):**
- WINDGUARD
  - MIXED FIREBALLS
  - UNIFORM FIREBALLS
  - FIRE GLASS
  - CANVAS COVER
  - TIMER
  - EMERGENCY STOP
  - POLISHING SPRAY



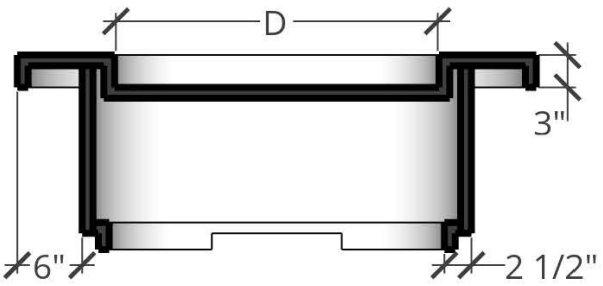
PLAN VIEW



PERSPECTIVE



FRONT ELEVATION



SIDE ELEVATION

DIMENSIONS (A X C)	LEDGE (L)	BURNER AREA (D X E)	TOP WEIGHT	BASE WEIGHT	BURNER	BTU RATING
36" DIA X 18"H	6"	24" DIA	125 LBS	175 LBS	14FSSEI-HI/LO-NG/120VAC	90K
42" DIA X 18"H	9"	24" DIA	150 LBS	175 LBS	14FSSEI-HI/LO-NG/120VAC	90K
48" DIA X 18"H	9"	30" DIA	200 LBS	225 LBS	PENTA24EI-HI/LO-NG/120VAC	125K
54" DIA X 18"H	12"	30" DIA	225 LBS	275 LBS	PENTA24EI-HI/LO-NG/120VAC	125K

# HCD

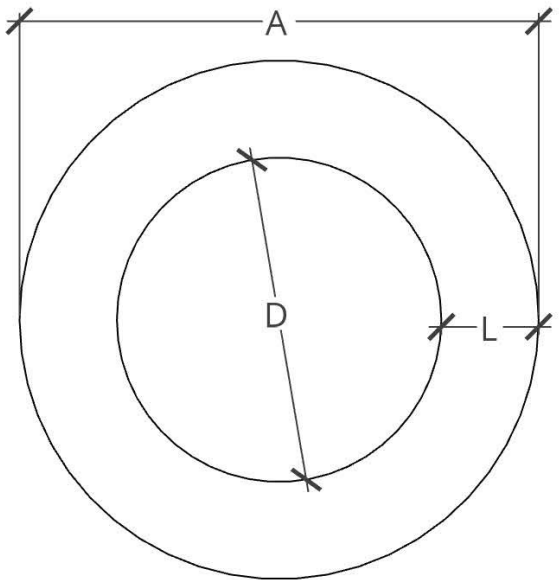
Hart Concrete Design  
(866) 716-4278

Item: CAPPED INFINITY  
Gas Type: NATURAL GAS  
Ignition: BLUETOOTH  
Date: 12/06/2022

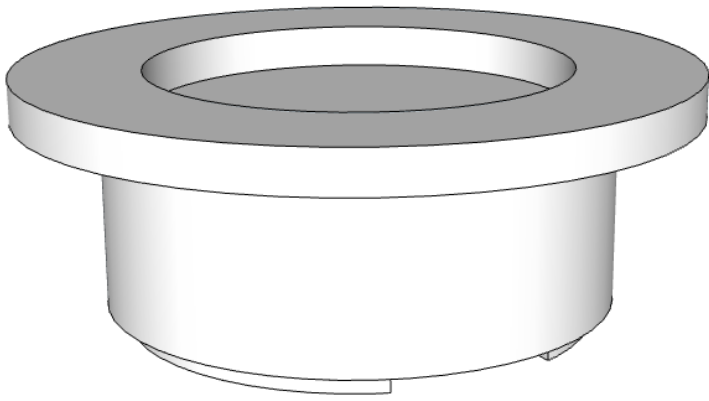
- Size:**
- 60" DIA X 18"H
  - 66" DIA X 18"H
  - 72" DIA X 18"H
  - OTHER: \_\_\_\_\_

- Select Desired Color:**
- WHITE
  - GREY
  - IRON
  - STEEL
  - MALIBU
  - IDAHO
  - MESA

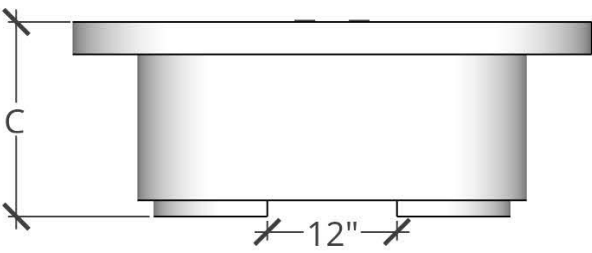
- Accessories (incurs additional charge):**
- WINDGUARD
  - MIXED FIREBALLS
  - UNIFORM FIREBALLS
  - FIRE GLASS
  - CANVAS COVER
  - TIMER
  - EMERGENCY STOP
  - POLISHING SPRAY



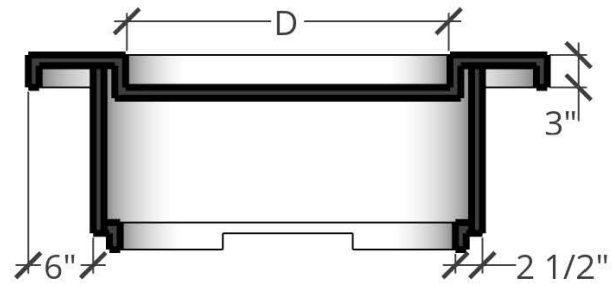
PLAN VIEW



PERSPECTIVE



FRONT ELEVATION



SIDE ELEVATION

DIMENSIONS (A X C)	LEDGE (L)	BURNER AREA (D X E)	TOP WEIGHT	BASE WEIGHT	BURNER	BTU RATING
60" DIA X 18"H	12"	36" DIA	300 LBS	325 LBS	PENTA30EI-HI/LO-NG/120VAC	200K
66" DIA X 18"H	12"	42" DIA	350 LBS	375 LBS	PENTA36EI-HI/LO-NG/120VAC	250K
72" DIA X 18"H	12"	48" DIA	400 LBS	450 LBS	PENTA36EI-HI/LO-NG/120VAC	250K