

HCD

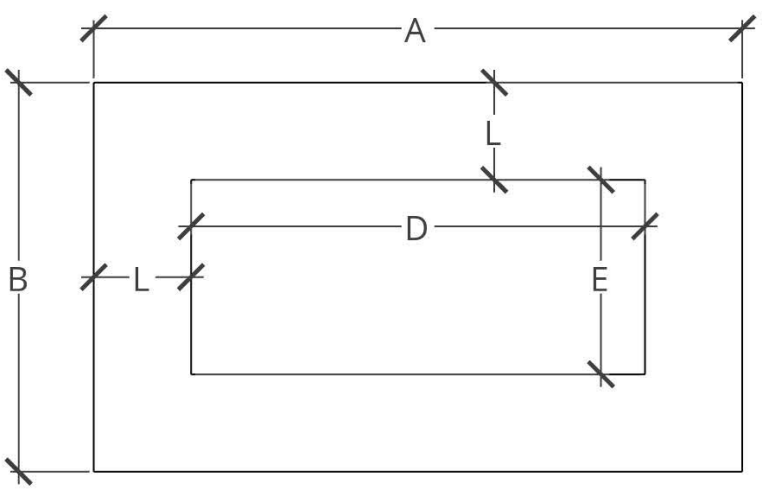
Hart Concrete Design
(866) 716-4278

Item: BLOCK PLAZA
Gas Type: PROPANE
HARDLINE
Ignition: MATCH LIT
Date: 12/07/2022

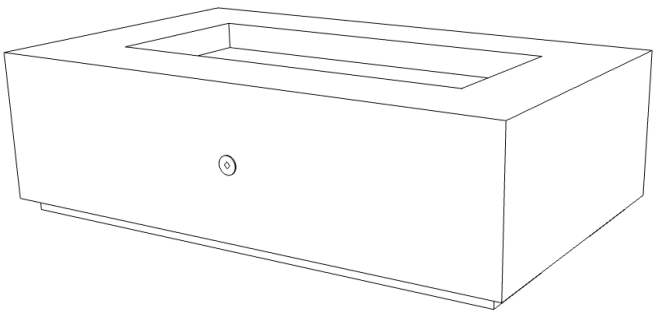
- Size:**
- 48" X 30" X 18"H
 - 60" X 36" X 18"H
 - 72" X 42" X 18"H
 - 84" X 42" X 18"H

- Select Desired Color:**
- WHITE
 - GREY
 - IRON
 - STEEL
 - MALIBU
 - IDAHO
 - MESA

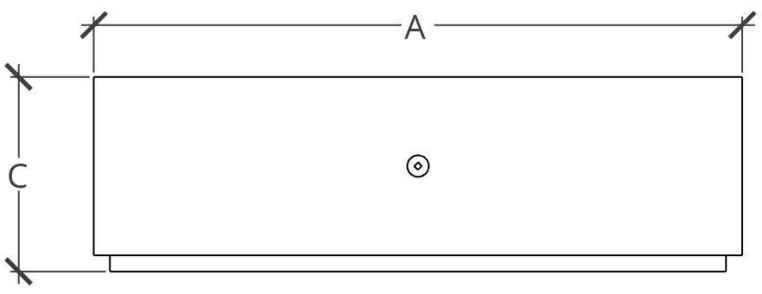
- Accessories (incurs additional charge):**
- WINDGUARD
 - FIRE GLASS
 - CANVAS COVER
 - POLISHING SPRAY



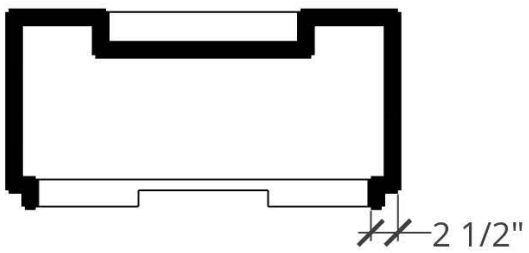
PLAN VIEW



PERSPECTIVE



FRONT ELEVATION



SIDE ELEVATION

DIMENSIONS (A X B X C)	LEDGE (L)	BURNER AREA (D X E)	WEIGHT	BURNER	BTU RATING
48" X 30" X 18"H	9"	30" X 12"	300 LBS	18" T-BURNER	36K
60" X 36" X 18"H	9"	42" X 18"	425 LBS	30" TORPEDO H-BURNER	175K
72" X 42" X 18"H	12"	48" X 18"	525 LBS	36" TORPEDO H-BURNER	200K
84" X 42" X 18"H	10"	64" X 22"	600 LBS	48" TORPEDO H-BURNER	250K