

HCD

Hart Concrete Design

(866) 716-4278

Item: BLOCK INFINITY

Gas Type: PROPANE
HARDLINE

Ignition: PUSH BUTTON

Date: 12/06/2022

Size:

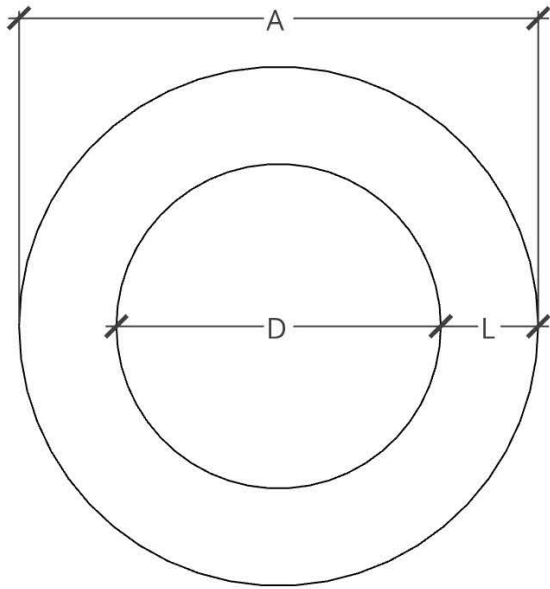
- 36" DIA X 18"H
- 42" DIA X 18"H
- 48" DIA X 18"H
- 54" DIA X 18"H

Select Desired Color:

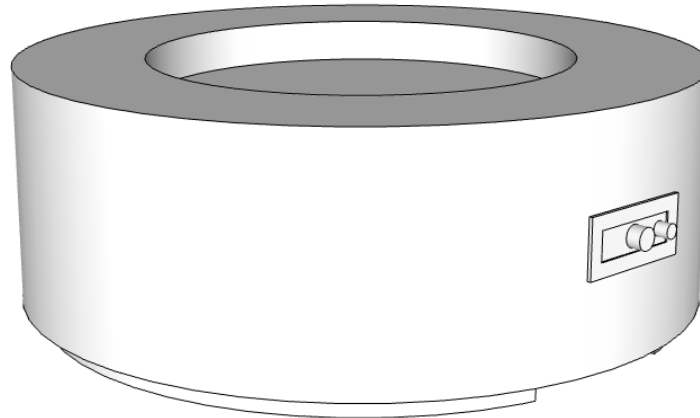
- WHITE
- GREY
- IRON
- STEEL
- MALIBU
- IDAHO
- MESA

Accessories (incurs additional charge):

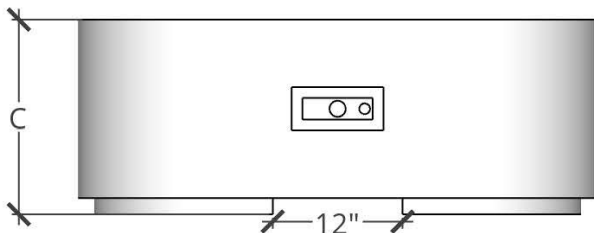
- WINDGUARD
- MIXED FIREBALLS
- UNIFORM FIREBALLS
- FIRE GLASS
- CANVAS COVER
- POLISHING SPRAY



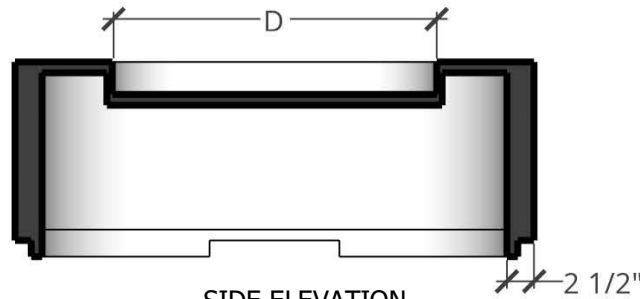
PLAN VIEW



PERSPECTIVE



FRONT ELEVATION



SIDE ELEVATION

DIMENSIONS (A X C)	LEDGE (L)	BURNER AREA (D)	WEIGHT	BURNER	BTU RATING
36" DIA X 18"H	6"	24" DIA	250 LBS	FPPK14-FLEX-LP	90K
42" DIA X 18"H	9"	24" DIA	300 LBS	FPPK14-FLEX-LP	90K
48" DIA X 18"H	9"	30" DIA	350 LBS	PENTA24FPPK-FLEX-LP	90K
54" DIA X 18"H	12"	30" DIA	400 LBS	PENTA24FPPK-FLEX-LP	90K

HCD

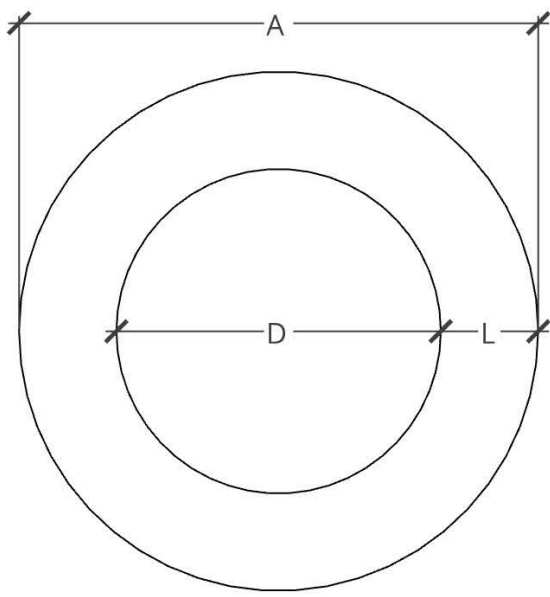
Hart Concrete Design
(866) 716-4278

Item: BLOCK INFINITY
Gas Type: PROPANE
HARDLINE
Ignition: PUSH BUTTON
Date: 12/06/2022

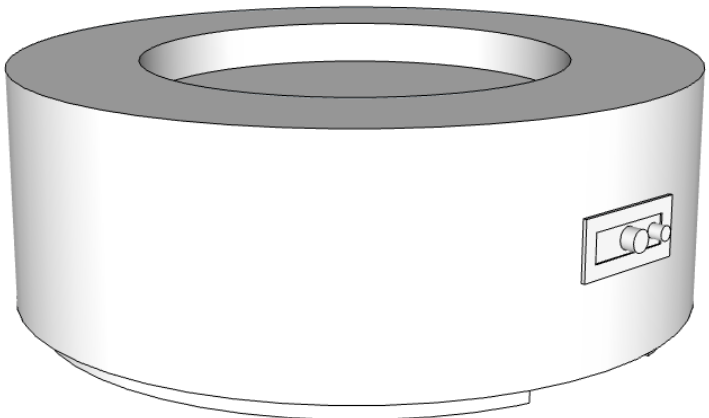
- Size:**
- 60" DIA X 18"H
 - 66" DIA X 18"H
 - 72" DIA X 18"H
 - OTHER: _____

- Select Desired Color:**
- WHITE
 - GREY
 - IRON
 - STEEL
 - MALIBU
 - IDAHO
 - MESA

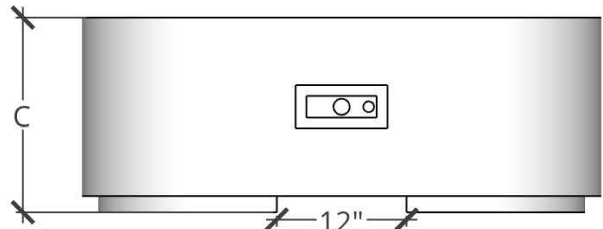
- Accessories (incurs additional charge):**
- WINDGUARD
 - MIXED FIREBALLS
 - UNIFORM FIREBALLS
 - FIRE GLASS
 - CANVAS COVER
 - POLISHING SPRAY



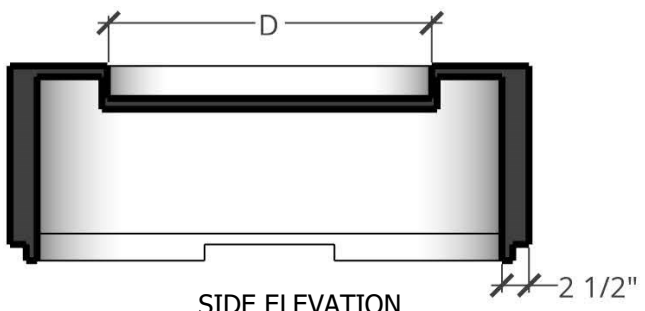
PLAN VIEW



PERSPECTIVE



FRONT ELEVATION



SIDE ELEVATION

DIMENSIONS (A X C)	LEDGE (L)	BURNER AREA (D)	WEIGHT	BURNER	BTU RATING
60" DIA X 18"H	12"	36" DIA	500 LBS	PENTA30FPPK-FLEX-NG	140K
66" DIA X 18"H	12"	42" DIA	550 LBS	PENTA36FPPK-FLEX-NG	140K
72" DIA X 18"H	12"	48" DIA	600 LBS	PENTA36FPPK-FLEX-NG	140K