

# HCD

Hart Concrete Design  
(866) 716-4278

Item: BLOCK INFINITY  
Gas Type: NATURAL GAS  
Ignition: PUSH BUTTON  
Date: 12/06/2022

**Size:**

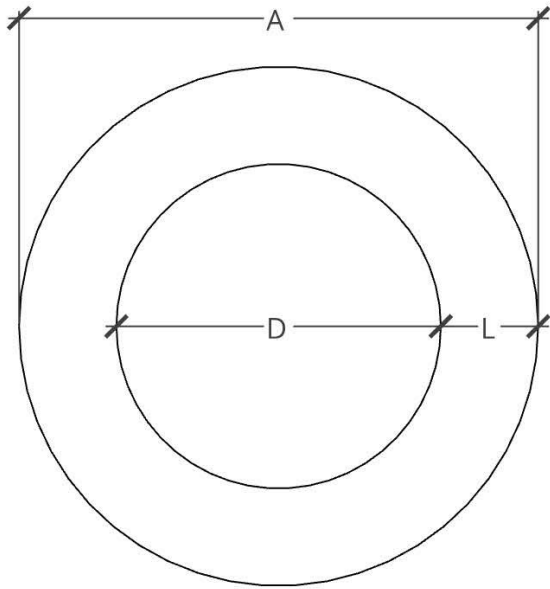
- 36" DIA X 18"H
- 42" DIA X 18"H
- 48" DIA X 18"H
- 54" DIA X 18"H

**Select Desired Color:**

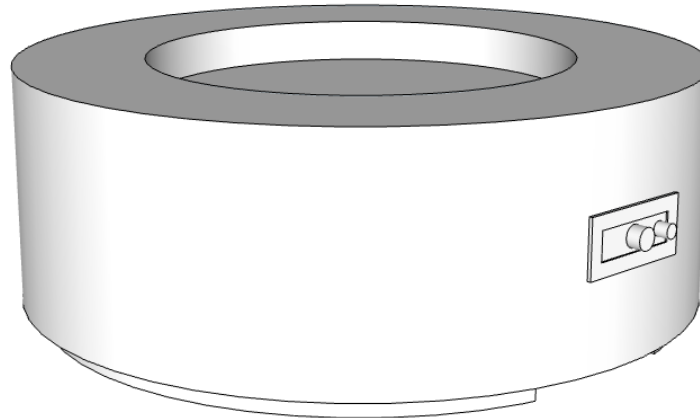
- WHITE
- GREY
- IRON
- STEEL
- MALIBU
- IDAHO
- MESA

**Accessories (incurs additional charge):**

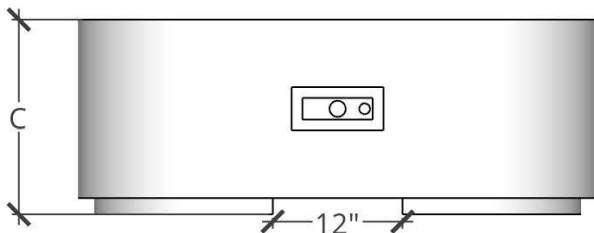
- WINDGUARD
- MIXED FIREBALLS
- UNIFORM FIREBALLS
- FIRE GLASS
- CANVAS COVER
- POLISHING SPRAY



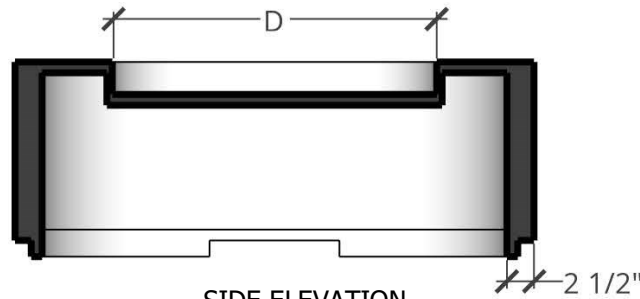
PLAN VIEW



PERSPECTIVE



FRONT ELEVATION



SIDE ELEVATION

DIMENSIONS (A X C)	LEDGE (L)	BURNER AREA (D)	WEIGHT	BURNER	BTU RATING
36" DIA X 18"H	6"	24" DIA	250 LBS	FPPK14-FLEX-NG	90K
42" DIA X 18"H	9"	24" DIA	300 LBS	FPPK14-FLEX-NG	90K
48" DIA X 18"H	9"	30" DIA	350 LBS	PENTA24FPPK-FLEX-NG	90K
54" DIA X 18"H	12"	30" DIA	400 LBS	PENTA24FPPK-FLEX-NG	90K

# HCD

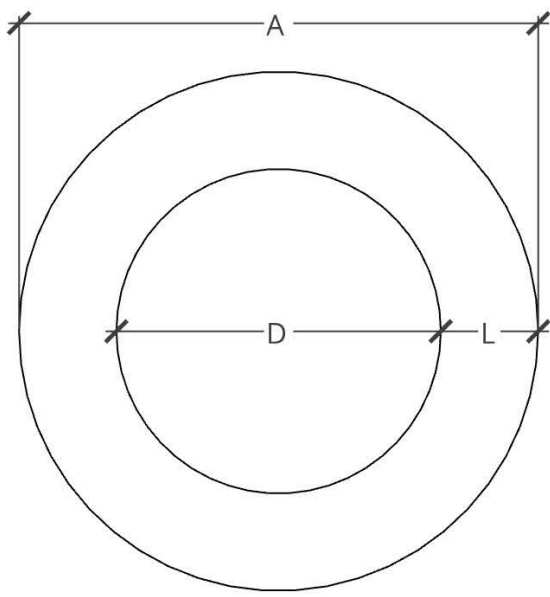
Hart Concrete Design  
(866) 716-4278

Item: BLOCK INFINITY  
Gas Type: NATURAL GAS  
Ignition: PUSH BUTTON  
Date: 12/06/2022

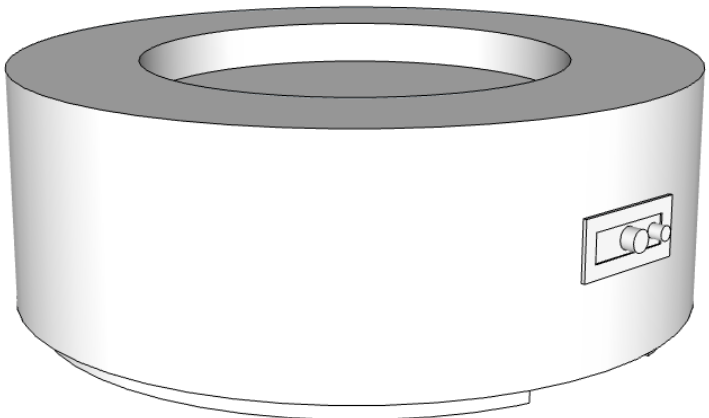
- Size:**
- 60" DIA X 18"H
  - 66" DIA X 18"H
  - 72" DIA X 18"H
  - OTHER: \_\_\_\_\_

- Select Desired Color:**
- WHITE
  - GREY
  - IRON
  - STEEL
  - MALIBU
  - IDAHO
  - MESA

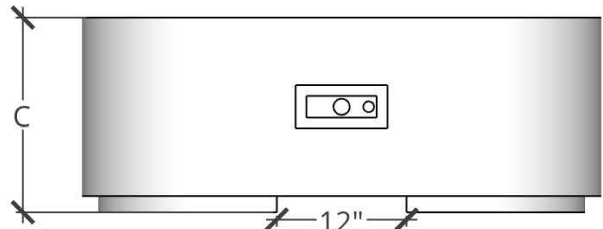
- Accessories (incurs additional charge):**
- WINDGUARD
  - MIXED FIREBALLS
  - UNIFORM FIREBALLS
  - FIRE GLASS
  - CANVAS COVER
  - POLISHING SPRAY



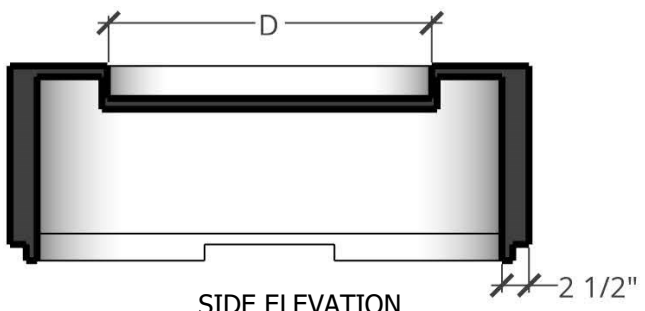
PLAN VIEW



PERSPECTIVE



FRONT ELEVATION



SIDE ELEVATION

DIMENSIONS (A X C)	LEDGE (L)	BURNER AREA (D)	WEIGHT	BURNER	BTU RATING
60" DIA X 18"H	12"	36" DIA	500 LBS	PENTA30FPPK-FLEX-NG	140K
66" DIA X 18"H	12"	42" DIA	550 LBS	PENTA36FPPK-FLEX-NG	140K
72" DIA X 18"H	12"	48" DIA	600 LBS	PENTA36FPPK-FLEX-NG	140K