

HCD

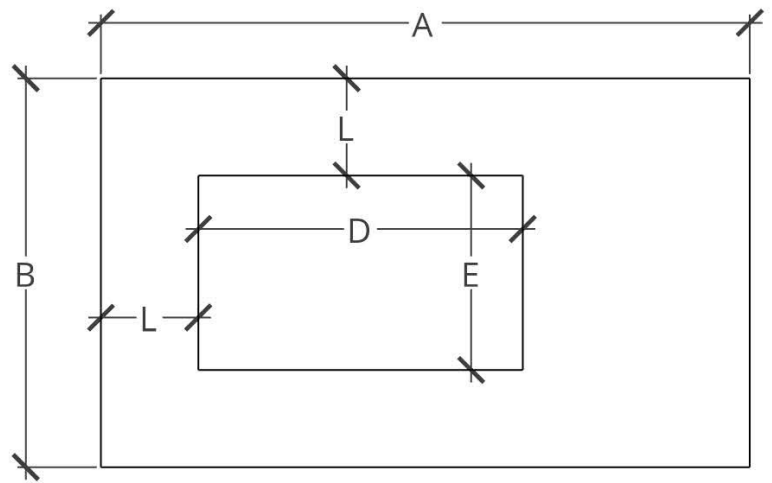
Hart Concrete Design
(866) 716-4278

Item: ASYMMETRIC
Gas Type: NATURAL GAS
Ignition: MATCH LIT
Date: 12/08/2022

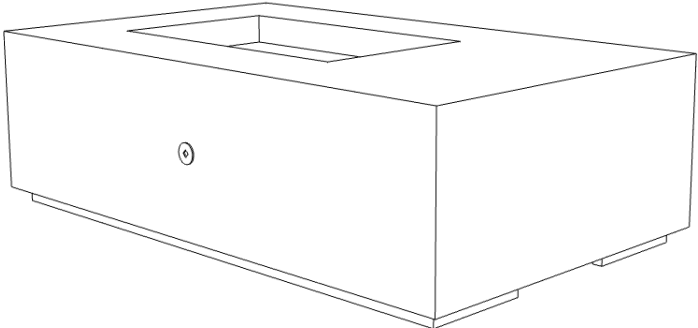
- Size:**
- 60" X 36" X 18"H
 - 72" X 42" X 18"H
 - 84" X 42" X 18"H

- Select Desired Color:**
- WHITE
 - GREY
 - IRON
 - STEEL
 - MALIBU
 - IDAHO
 - MESA

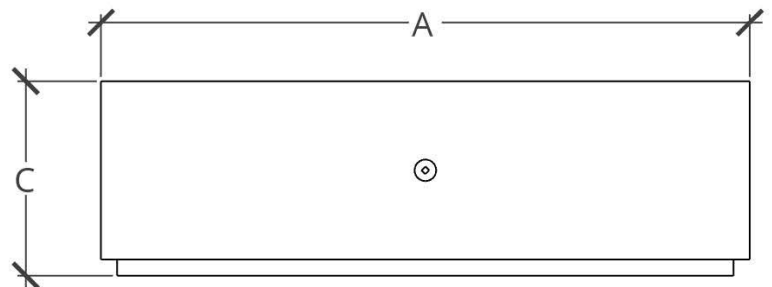
- Accessories (incurs additional charge):**
- WINDGUARD
 - FIRE GLASS
 - CANVAS COVER
 - POLISHING SPRAY



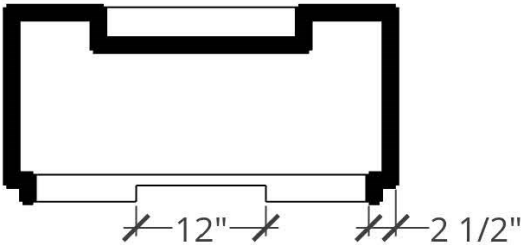
PLAN VIEW



PERSPECTIVE



FRONT ELEVATION



SIDE ELEVATION

DIMENSIONS (A X B X C)	LEDGE (L)	BURNER AREA (D X E)	WEIGHT	BURNER	BTU RATING
60" X 36" X 18"H	9"	30" X 18"	425 LBS	18" TORPEDO H-BURNER	125K
72" X 42" X 18"H	12"	36" X 18"	525 LBS	24" TORPEDO H-BURNER	150K
84" X 42" X 18"H	12"	42" X 18"	600 LBS	30" TORPEDO H-BURNER	175K