

HCD

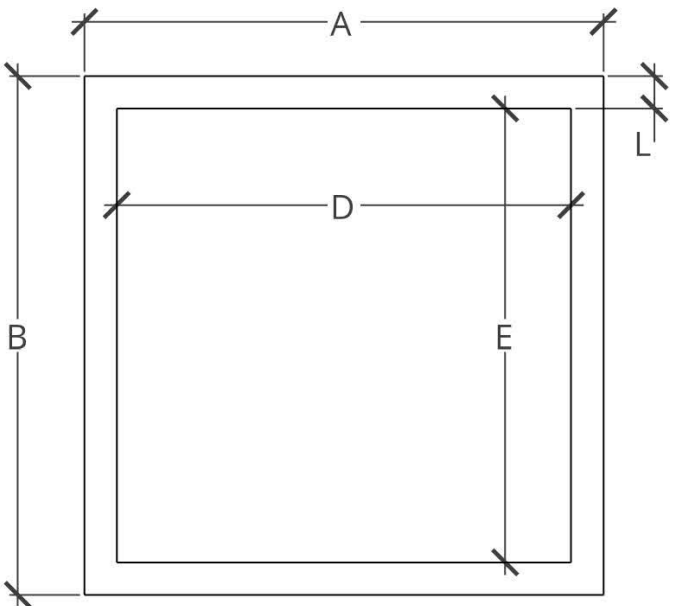
Hart Concrete Design
(866) 716-4278

Item: ALVIN
Gas Type: NATURAL GAS
Ignition: PUSH BUTTON
Date: 12/07/2022

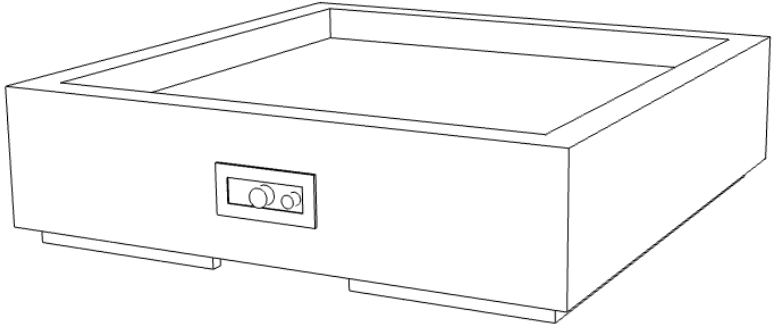
- Size:**
- 36" X 36" X 13"H
 - 42" X 42" X 13"H
 - 48" X 48" X 13"H
 - OTHER: _____

- Select Desired Color:**
- WHITE
 - GREY
 - IRON
 - STEEL
 - MALIBU
 - IDAHO
 - MESA

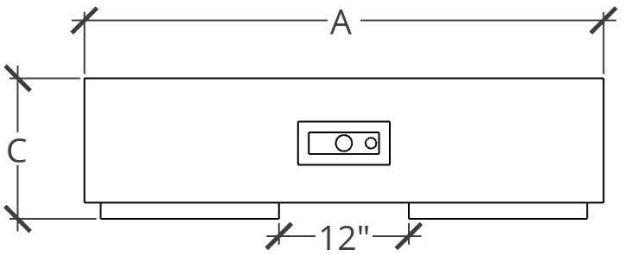
- Accessories (incurs additional charge):**
- WINDGUARD
 - MIXED FIREBALLS
 - UNIFORM FIREBALLS
 - FIRE GLASS
 - CANVAS COVER
 - POLISHING SPRAY



PLAN VIEW



PERSPECTIVE



FRONT ELEVATION



SIDE ELEVATION

DIMENSIONS (A X B X C)	LEDGE (L)	BURNER AREA (D X E)	WEIGHT	BURNER	BTU RATING
36" X 36" X 13"H	3"	30" X 30"	300 LBS	FPPK24-SQ-FLEX-NG	90K
42" X 42" X 13"H	3"	36" X 36"	350 LBS	FPPK30-SQ-FLEX-NG	140K
48" X 48" X 13"H	3"	42" X 42"	400 LBS	FPPK36-SQ-FLEX-NG	140K