

# HCD

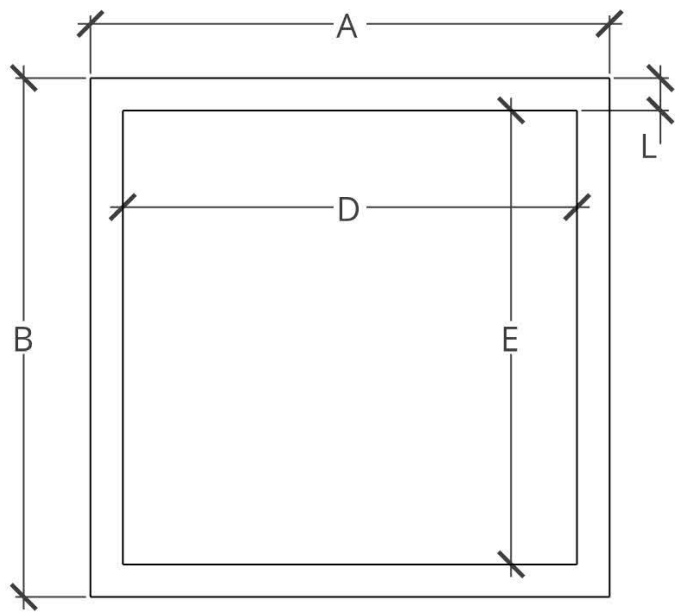
Hart Concrete Design  
(866) 716-4278

Item: ALVIN  
Gas Type: NATURAL GAS  
Ignition: MATCH LIT  
Date: 12/07/2022

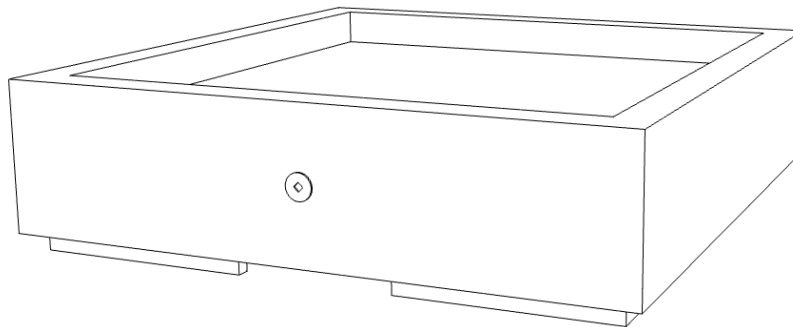
- Size:**
- 36" X 36" X 13"H
  - 42" X 42" X 13"H
  - 48" X 48" X 13"H
  - OTHER: \_\_\_\_\_

- Select Desired Color:**
- WHITE
  - GREY
  - IRON
  - STEEL
  - MALIBU
  - IDAHO
  - MESA

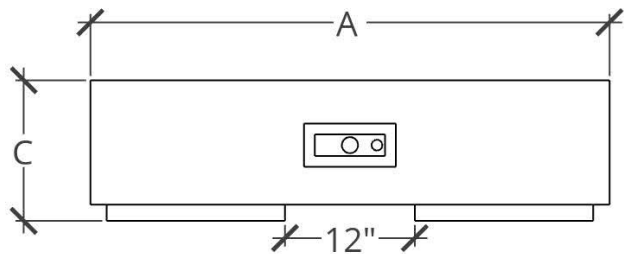
- Accessories (incurs additional charge):**
- WINDGUARD
  - MIXED FIREBALLS
  - UNIFORM FIREBALLS
  - FIRE GLASS
  - CANVAS COVER
  - POLISHING SPRAY



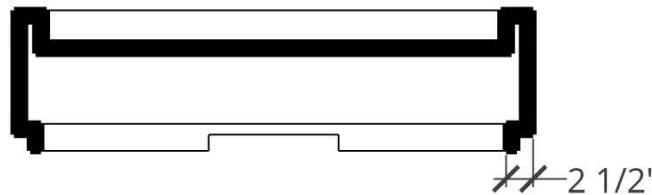
PLAN VIEW



PERSPECTIVE



FRONT ELEVATION



SIDE ELEVATION

DIMENSIONS (A X B X C)	LEDGE (L)	BURNER AREA (D X E)	WEIGHT	BURNER	BTU RATING
36" X 36" X 13"H	3"	30" X 30"	300 LBS	18" ROUND BURNER	150K
42" X 42" X 13"H	3"	36" X 36"	350 LBS	24" ROUND BURNER	150K
48" X 48" X 13"H	3"	42" X 42"	400 LBS	30" ROUND BURNER	300K